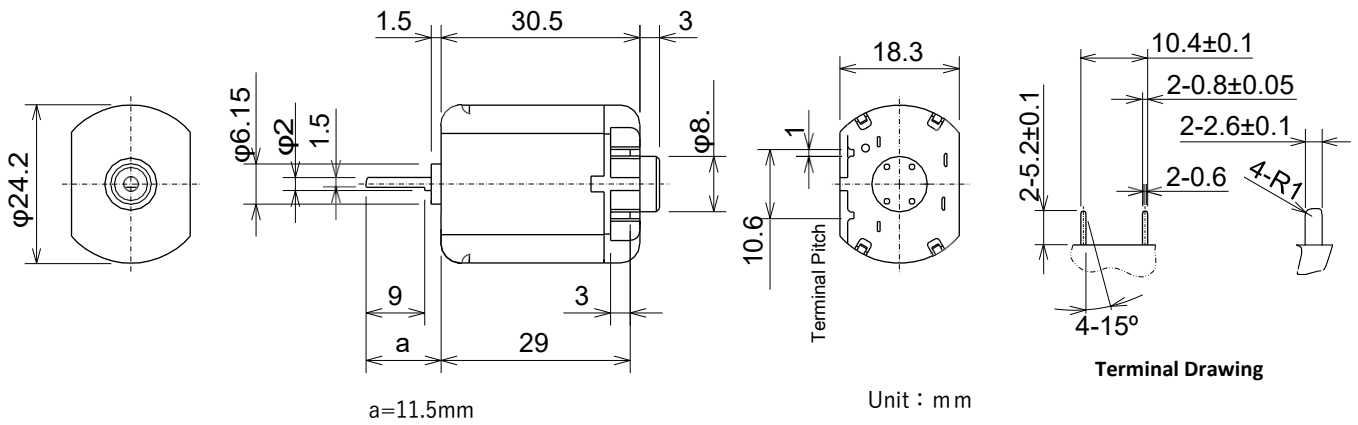




# PSF13

External Dimensions

Weight:38.5g



Reference Characteristics

Model	Voltage		No Load		Rated Load		Rated Load		Starting Torque		Starting Current (mA)
	Operating	Rated	Speed	Current	Rated Load		Speed	Current	Starting Torque	Starting Torque	
	(V)	(V)	(min <sup>-1</sup> )	(mA)	(g·f·cm)	(mN·m)	(min <sup>-1</sup> )	(mA)	(g·f·cm)	(mN·m)	
PSF13EE12AA	9 to 14.5	12	15240	166	50.0	4.9	12797	859	312.2	30.6	4490
PSF13EE12AC	9 to 16	12	8545	65	61.2	6.0	5880	546	195.9	19.2	1610

Torque Characteristics

